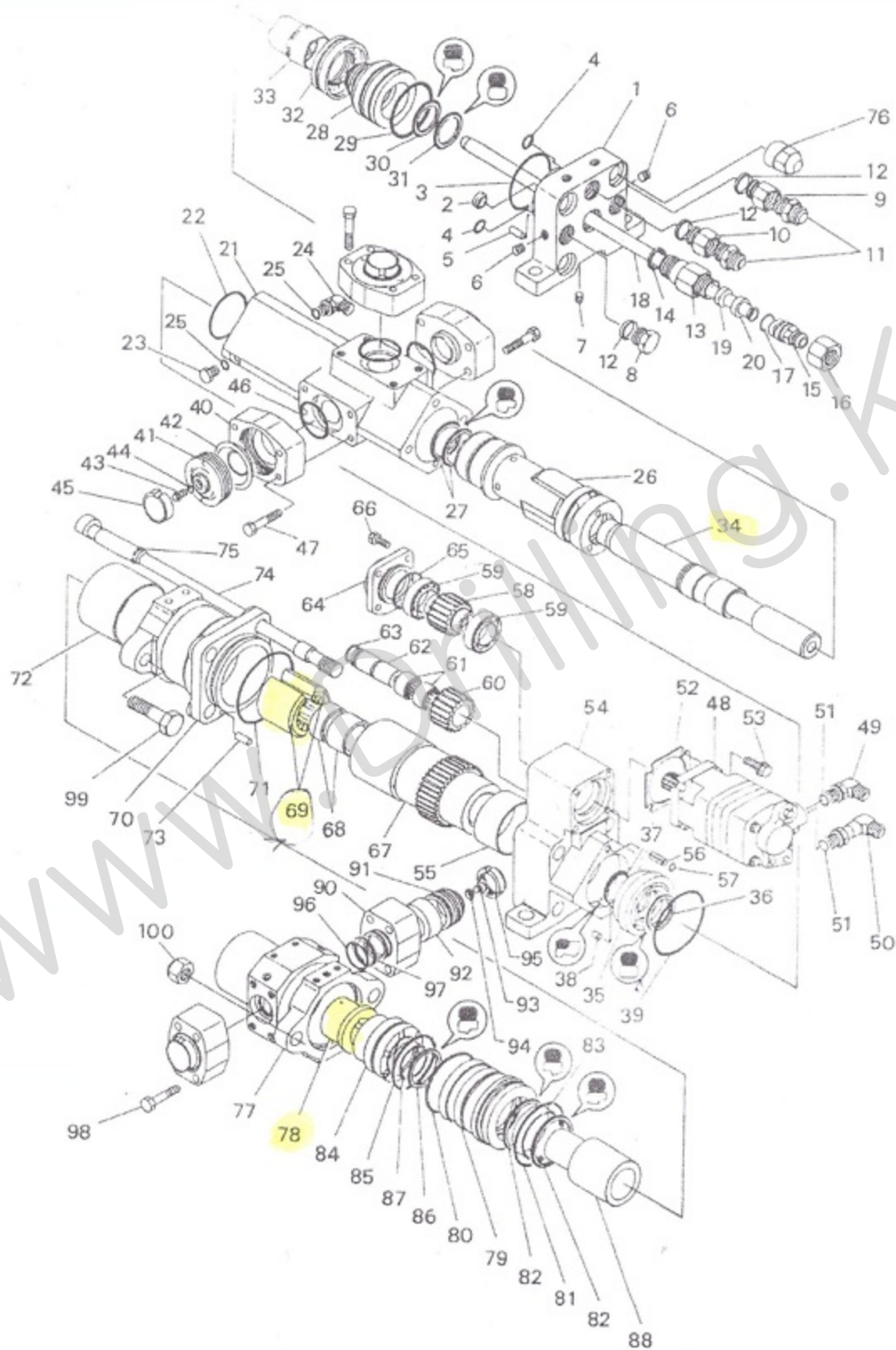


YH-95RP/01



YH-95 Drifter Parts

INGERSOLL RAND

No	Crawler Drill	Drfter	Part Number	Part Name	Q'ty	Unit Price	Remarks
		YH95	51328045	back head assy	1		
1		YH95	51325462	.back head	1		
2		YH95	51325170	.blow tube supporter	1		
3		YH95	51325041	.o-ring	1	O	
4		YH95	51325058	.o-ring	3		
5		YH95	51327716	.spring pin	1		
6		YH95	50787753	.plug	2		
7		YH95	51252971	.plug	1		
8		YH95	51206100	.plug	1	O	
9		YH95	51327724	.adapter	1		
10		YH95	51325488	.outlet adapter	1		
11		YH95	51196350	.hose adapter	2		
12		YH95	50748250	.seal	3	O	
		YH95	51327740	back head gland assy	1		
13		YH95	51325496	.back head gland	1		
14		YH95	51327757	.seal	1		
15		YH95	51325504	.blow adapter	1		
16		YH95	51325512	.hose nut	1		
17		YH95	50787209	.o-ring	1		
		YH95	51327765	blow tube assy	1		
18		YH95	51324895	.blow tube	1		
19		YH95	51324903	.tube rubber	1		
20		YH95	51324911	.tube holder	1		
		YH95	51328052	cylinder assy	1		
21		YH95	51325553	.cylinder	1		
22		YH95	51104248	.o-ring	1	O	
23		YH95	51327773	.plug	1		
24		YH95	51327781	.elbow	1		
25		YH95	50787043	.o-ring	2		
		YH95	51327799	cylinder liner assy	1		Need Sample
26		YH95	51325561	.cylinder liner	1		Need Sample
27		YH95	51325066	.seal	1		Need Sample
		YH95	51680759	back liner assy	1	O	
28		YH95	51645505	.cylinder back liner	1	O	4.18kg
29		YH95	51325041	.o-ring	1	O	
30		YH95	51325074	.seal	1	O	
31		YH95	51325082	.seal	1	O	
32		YH95	51325587	.valve guide	1	O	1.18kg
33		YH95	51325595	valve	1	O	0.58kg
34		YH95	51325603	piston	1	O	10.52kg
		YH95	51326015	front liner assy	1		
35		YH95	51325611	.front liner	1		Need sample

Driven by our values :

Honesty, Integrity, Accountability, Quality and Service Excellence!!!!

ERG Korea CO., Ltd.

No	Crawler Drill	Drfter	Part Number	Part Name	Q'ty	Unit Price	Remarks
36		YH95	51325090	.seal	1		
37		YH95	51325108	.wiper ring	1		
38		YH95	51326668	.key	1		
39		YH95	51104297	.o-ring	1		
		YH95	53113122	accumulator assy		O	
40		YH95	51206381	.body	1	O	7.02
41		YH95	51206399	.cover	1	O	1.9kg
42		YH95	51206407	.diaphragm		O	0.04kg
43		YH95	51176741	.valve	1	O	
44		YH95	53113130	.seal washer	1	O	
45		YH95	50748334	.cap	1	O	
46		YH95	51104198	.o-ring	1		
47		YH95	51260032	.bolt	4		
		YH95	53183034	hyd.motor assy	1		
48		YH95	51323319	.orbit motor (refer to sheet D0116)	1		
49		YH95	51327823	.elbow	1		
50		YH95	51327831	.long elbow	1		
51		YH95	51325033	.o-ring	2		
52		YH95	51327849	.gasket	2		
53		YH95	51325629	.motor bolt	4		
		YH95	51327856	gear box assy	1		
54		YH95	51325637	.gear box	1		
55		YH95	51327864	.DU bushing	1		
56		YH95	51176477	.spring pin	1		
57		YH95	51206084	.o-ring	1		
		YH95	51327880	drive gear assy	1		
58		YH95	51325652	.drive gear	1		
59		YH95	50748763	.ball bearing	2		
		YH95	51327898	idle gear assy	1		
60		YH95	51325645	.idler gear	1		
61		YH95	51327906	.needle bearing	2		
62		YH95	51325546	.gear shaft	1		
63		YH95	50787019	.o-ring	1		
		YH95	51327914	G'box cover assy	1		
64		YH95	51325538	.gear box cover	1		
65		YH95	51104206	.o-ring	1		
66		YH95	50945385	.bolt	4	O	
		YH95	51677565	chuck drive assy	1		
67		YH95	51325520	.chuck driver	1	O	Manufacturing
68		YH95	51536605	.bushing set	1		Need Sample
		YH95		..shank aligner	1		
		YH95		..shank bushing	1		
69		YH95	51325678	chuck	1	O	Manufacturing
		YH95	51327930	chuck end assy	1		
70		YH95	51325686	.chuck end	1		
71		YH95	51104321	.o-ring	1		
72		YH95	51327948	.DU bushing	1		

No	Crawler Drill	Drfter	Part Number	Part Name	Q'ty	Unit Price	Remarks
73		YH95	51327716	.spring pin	1		
		YH95	51327963	cap assy	1		
74		YH95	51325694	.chuck end cap	1		
75		YH95	51325702	.cap liner	1	O	Manufacturing
76		YH95	51325710	.linger guide	1		
77		YH95	51104297	.o-ring	1		
		YH95	151329092	bolt assy	2		
78		YH95	51325736	.bolt	1		
79		YH95	51325843	.nylon nut	1		
		YH95	51327971	through bolt assy	4		
80		YH95	51324861	.through bolt	1		
81		YH95	51103778	.o-ring	1		
82		YH95	51325728	.nut	1		
		YH95RP	51332096	yh95RP seal kit			
		YH95RP		Shank			